

## ORGAN MATE INSTALLATION INSTRUCTIONS

### INSTALLATION KIT

Each ORGAN MATE is shipped with the following components for a more simple and professional installation:

- 4 Rubber grommets with inserts and screws for mounting the unit.
- 2 Phono Jacks. (J-1 and J-2 on schematic).
- 1 Capacitor, tubular, .047 or .05 mfd. (C-1 on schematic).
- 1 Four inch length 18 ga. tubing to insulate leads of C-1.
- 2 #6 round head wood screws for mounting reverberation control and bracket to console.

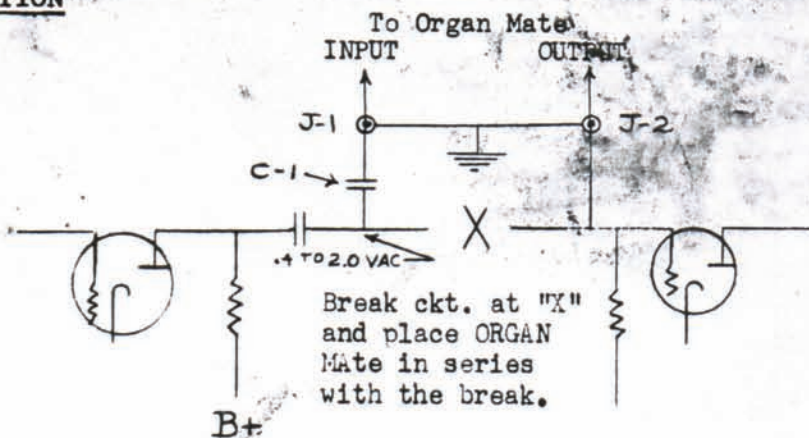
### INSTALLATION

Using mounting hardware supplied, mount the ORGAN MATE within the organ console. Keep "OUTPUT" end of ORGAN MATE away from other transformer fields and away from speaker fields. BE SURE TO REMOVE THE CARDBOARD SPRING RETAINERS BEFORE MOUNTING.

The ORGAN MATE is best installed at a point in the organ preamp or amplifier, before or after the expression pedal, where there is an AC signal voltage on the softest stop of between .4 and 2.0 volts. This point is easily located with a vacuum tube voltmeter.

When this point is located break the circuit there and place the ORGAN MATE in series at the break. This is easily accomplished by drilling two 1/4" holes in the chassis, adjacent to the point of ORGAN MATE insertion, and installing the two Phono Jacks provided. The INPUT and OUTPUT cables from the ORGAN MATE are then inserted in the Phono Jacks.

### TYPICAL INSTALLATION



### CONNECTING THE AC LINE CORD

The five foot AC Line cord is not fitted with a male plug. It is intended that the cord be connected to the instrument on the COLD side of the instrument ON-OFF switch so that the ORGAN MATE will be activated with the organ.

### SPECIAL INSTALLATIONS

In the event installation problems are encountered, or in cases of special installations mail FULL DETAILS and/or schematic to ELECTRO TONE CORPORATION and our engineering department will promptly assist upon receipt of full data. Your schematic will be returned to you with our instructions.



SPECIAL "ORGAN MATE" INSTALLATION INSTRUCTIONS FOR HAMMOND ORGANS

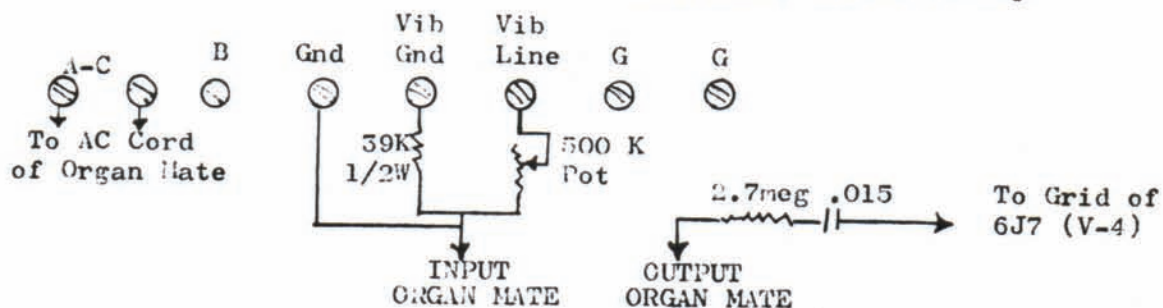
MODELS A, B, C, D & E

For these models refer to your Hammond Service Manual. Series insertion is made in the Preamp between Capacitor C-7 and Resistor R-7.

ADAPTER KITS available for easy and quick installation of ORGAN MATE to Hammond Models AV, BV, BCV, CV, DV, AND RT. Also B-2, C-2, RT-2, B-3, C-3, RT-3, A-100 and E-100.

ADAPTER KITS available for ORGAN MATE installation to LESLIE SPEAKER Models #25, 125, 45, 145, 47 and 147; also LESLIE Model 251 to Hammond M, M-2 and M-3.

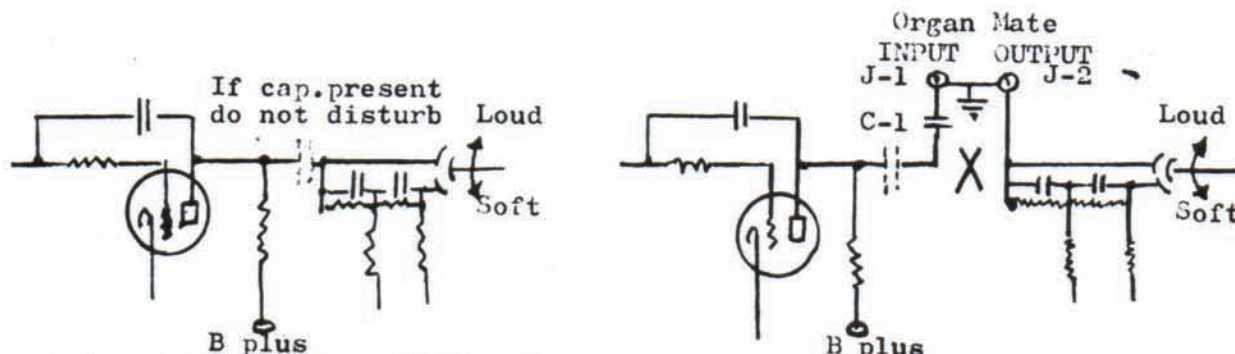
MODELS AV, BV, BCV, CV, DV and RT: If you do not use adapter you may wish to make installation as follows: All connections are made externally to the Preamp.



Wire from Reverb OUTPUT to Grid of 6J7 must be shielded. Place center conductor under 6J7 grid cap. Place shield pigtail under lip of 6J7 shield can to form ground. Adjust 500K pot for optimum performance. (Organ volume, vibrato and ORGAN MATE Reverberation).

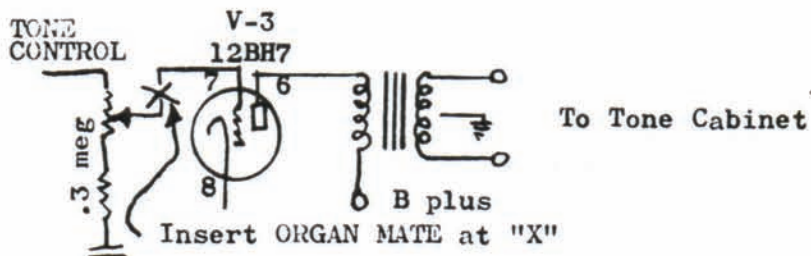
CHORD, EXTRAVOICE, M, M-2 and M-3 Models

In these models ORGAN MATE insertion is made in the Amplifier between the EXPRESSION PEDAL and the PLATE of the tube preceding it.



Hammond ckt. before adding ORGAN MATE

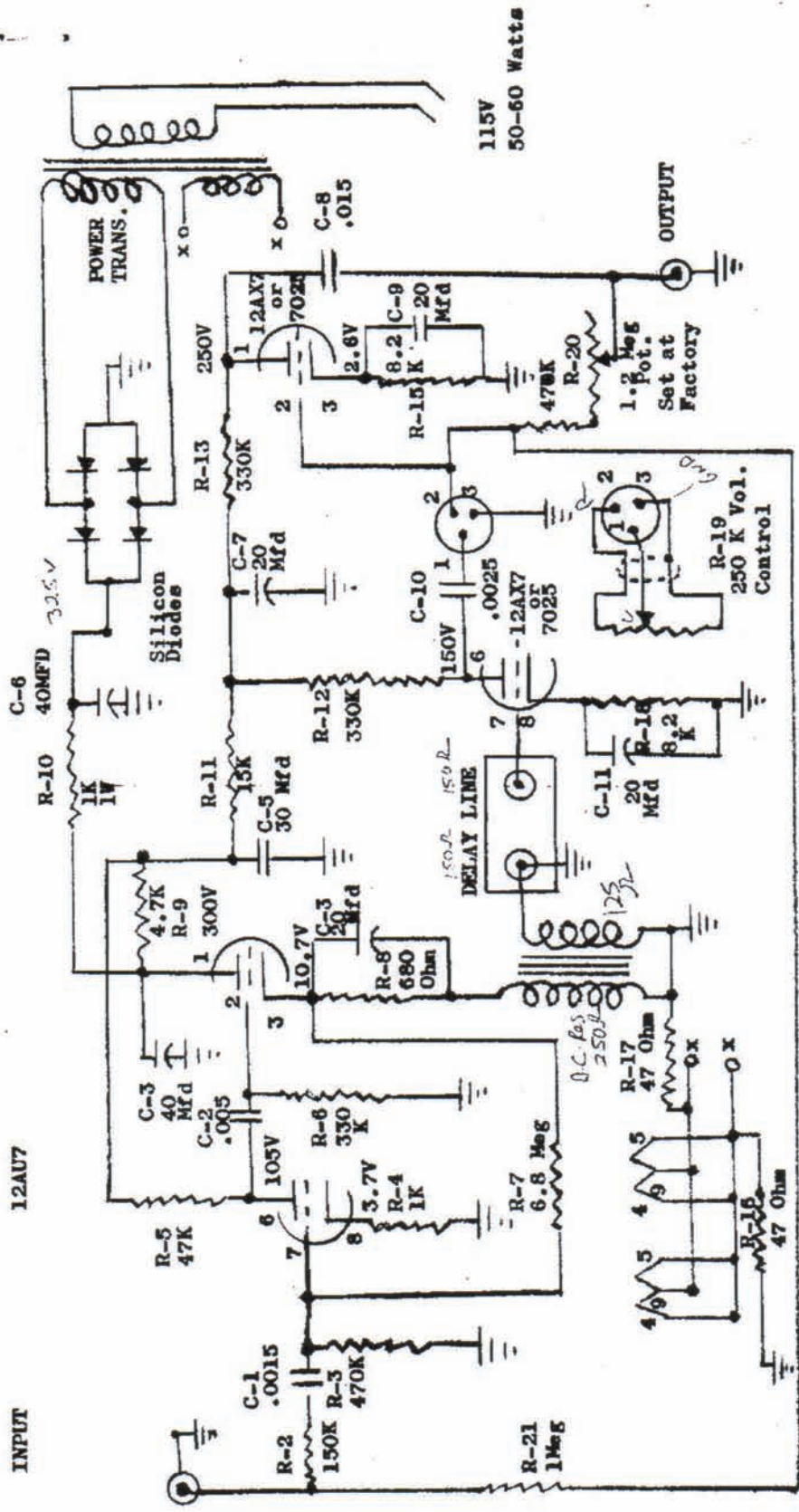
Break ckt. at "X" and insert ORGAN MATE in series as shown.



Above sketch shows B-3, C-3, RT-3 and A-100 installation. Same applies for the B-2, C-2, RT-2 models except V3 is a 6SN7 tube and Pin #1 is the input grid.

ELECTRO TONE CORPORATION  
 1814-A Colorado Avenue  
 Santa Monica, California 90404  
 (213)-393-9719

ORGAN MATE SCHEMATIC



NOTE: Any use of this circuitry, in whole or part, for the production or resale is forbidden. Reprints of this material only granted by written permission.

June 1969